

DEL LVL
G
REV
A

467000-0004

SHEET 1 OF 1 SHEET

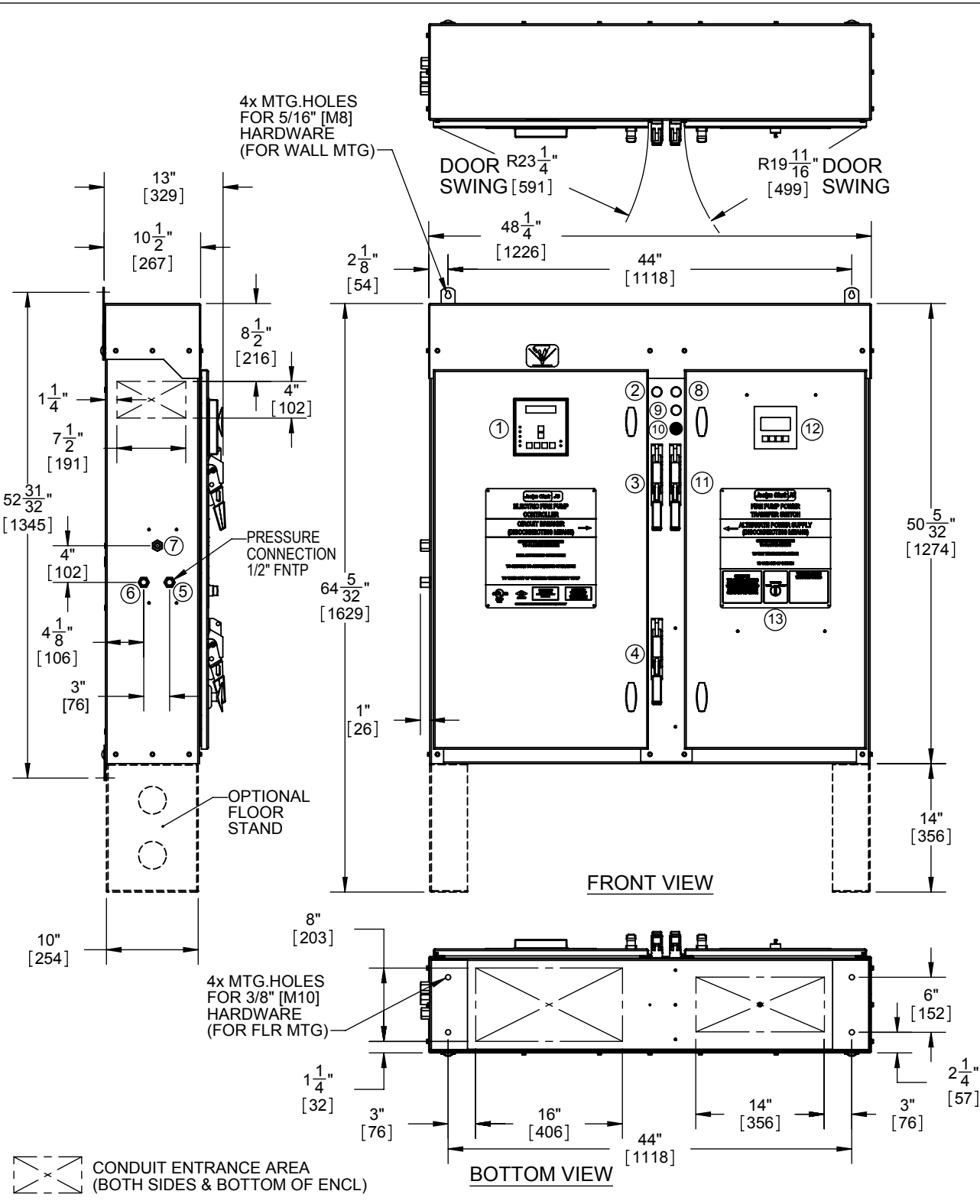
JOSLYN CLARK CONTROLS, INC.
ELIZABETHTOWN, NC 28337, USA



CAD FILE: 467000-0002

UNITS: INCH [MM] SCALE: 1:16

TITLE BUL. G10600, OUTLINE DRAWING, W / TRANSFER SW.
MADE BY SDM APPD BY DJD DATE 10/27/10



467000-0004	REVISIONS
	A: RELEASED PER ECN E00787. SDM/10/27/10

- ① OPERATIONAL INTERFACE PANEL
- ② E-STOP PUSHBUTTON
- ③ DISCONNECTING MEANS HANDLE
- ④ EMERGENCY START HANDLE
- ⑤ PRESSURE TRANSDUCER
- ⑥ TEST VALVE DRAIN
- ⑦ SUCTION TRANSDUCER (OPTIONAL)
- ⑧ ALTERNATE ISO. SW. OPEN PILOT LIGHT
- ⑨ SILENCE ALARM PUSHBUTTON
- ⑩ AUDIBLE ALARM
- ⑪ ALTERNATE SOURCE DISC. MEANS HANDLE
- ⑫ TRANSFER SWITCH STATUS PANEL
- ⑬ T/S NORMAL / ALTERNATE SEL. SWITCH